

TRADUIRE

Specification



Scroll down for Terminology

Tudor Part Number

TB955

Brand	Range	Capacity (Ah)	Box Type
↓	└─→		
Tudor		Technica	

Performance Grid

Voltage ↓
12V

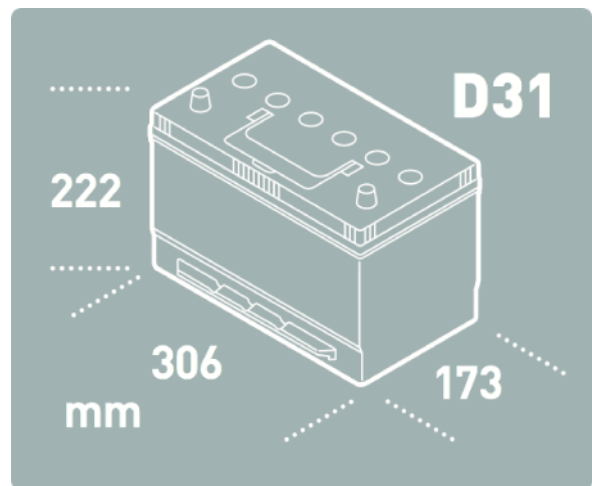
95 Ah

Ah (Ampere-hour)

720 A (EN)

Cold Cranking Amps (CCA)

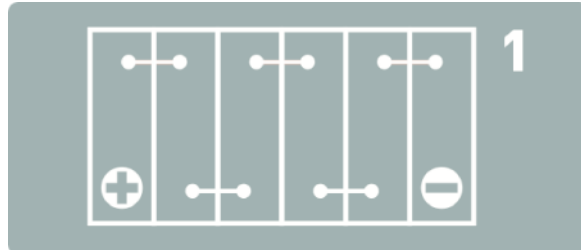
Battery Dimensions



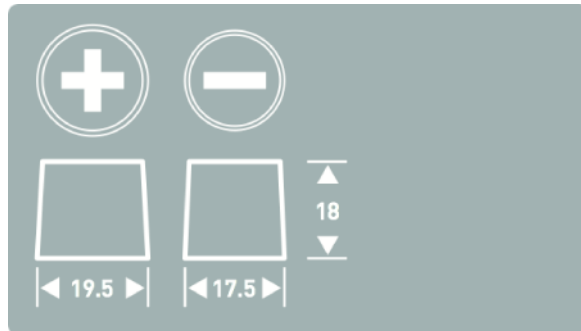
TUDOR[®] Technica TB955



Assembly/Polarity



Terminal: Standard Post



Safety and Instructions



European Standards: DIN:60033

Battery Terminology:

Ampere, or Amp

The unit of measurement of current flow. One volt placed across a one ohm resistance will cause a current of one Amp to flow.

Ampere-hour or Ah

One amp for one hour is called an “amp-hour” or Ah. Ah is an indicator of the total energy the battery can store and deliver at

hours of discharge, so a current of 3 amps for 20 hours would be 60 Ah.

Cold Cranking Amperes (CCA)

The CCA is an indicator of the power the battery can deliver for engine start. Consequently, bigger engines usually require higher CCA values to operate. CCA is measured in Amperes under normalised conditions (discharge at -18°C , keeping battery voltage over a minimum value) according to the standard EN50342-1.

Voltage

All modern conventional cars use a 12V battery consisting of six cells of 2V per cell. For other applications lead-acid batteries are also available in 6V..